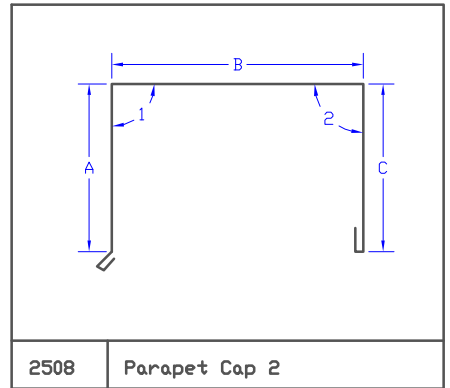
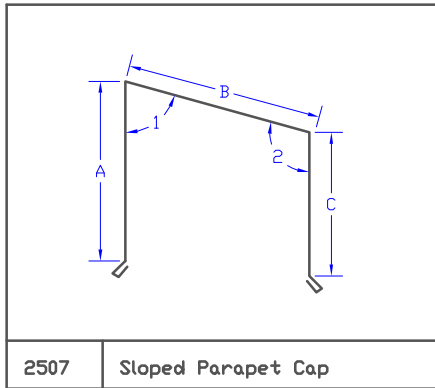
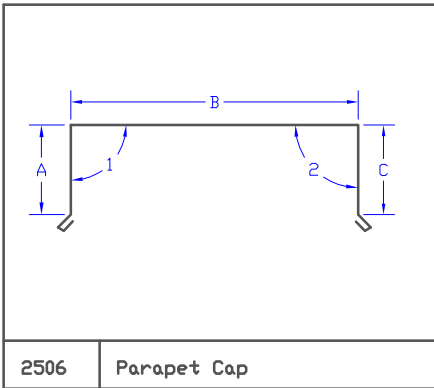
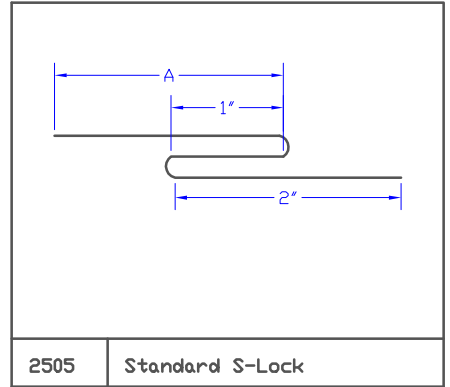
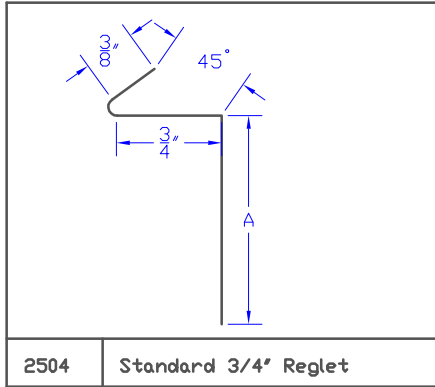
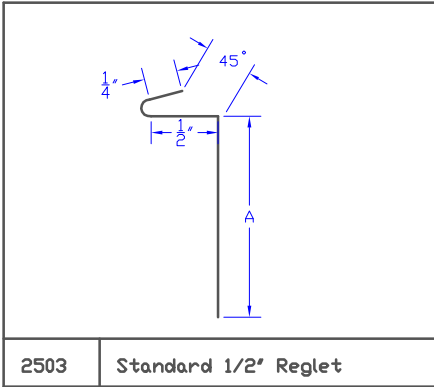
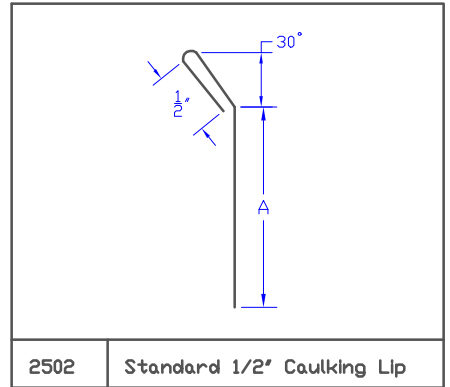
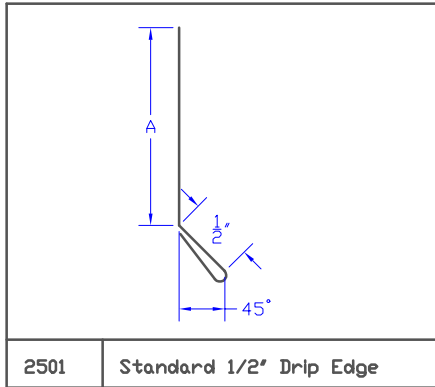
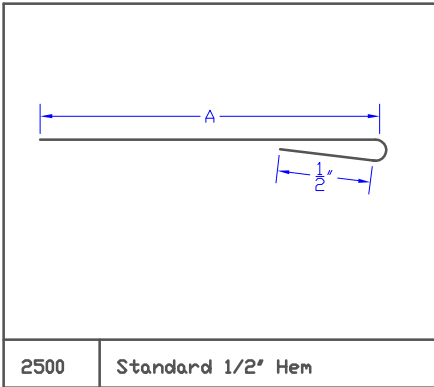
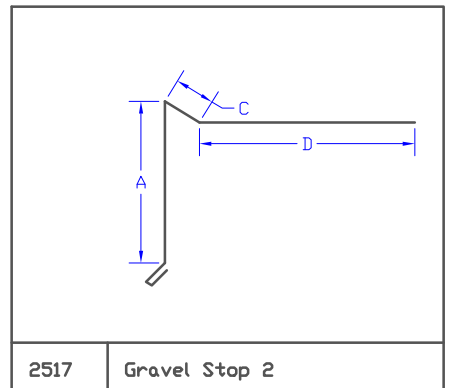
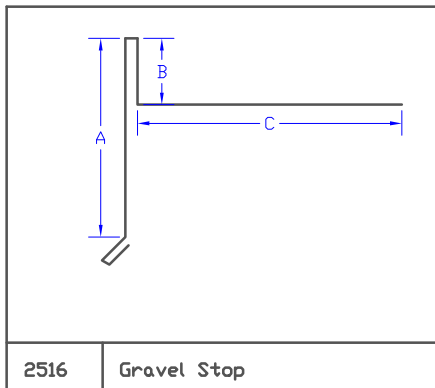
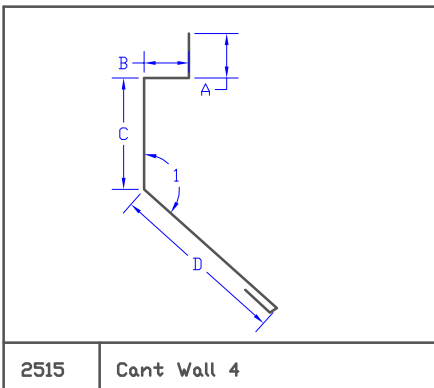
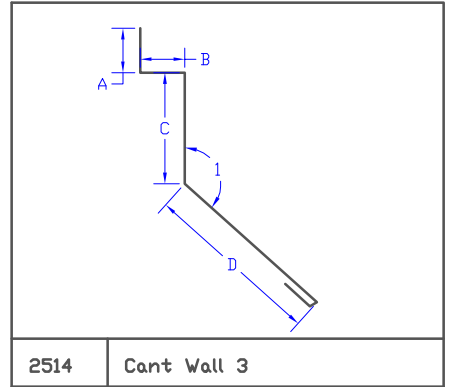
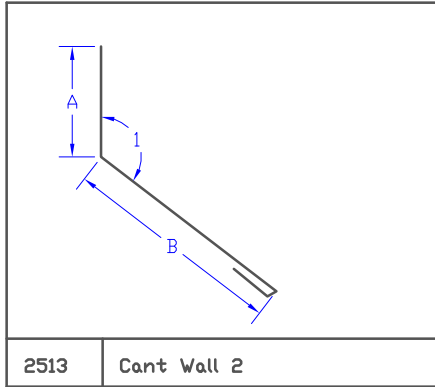
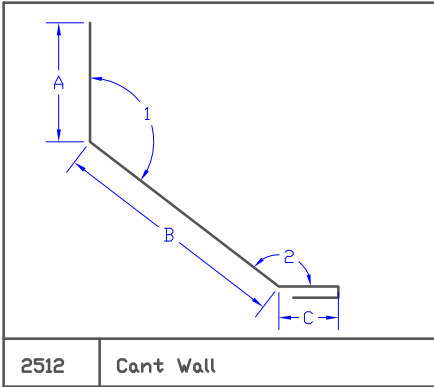
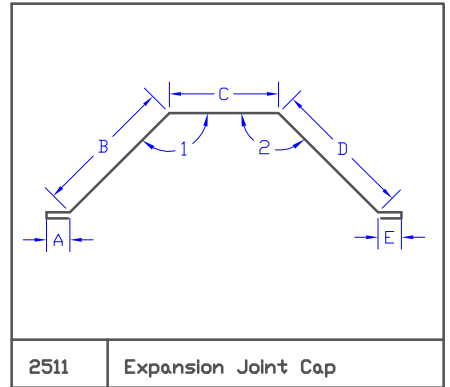
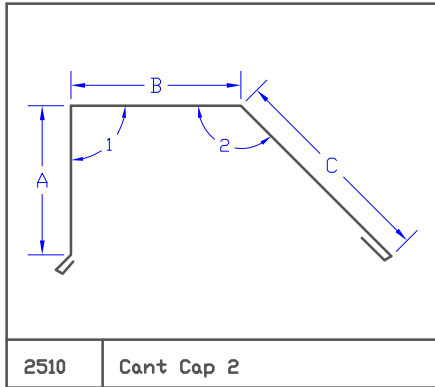
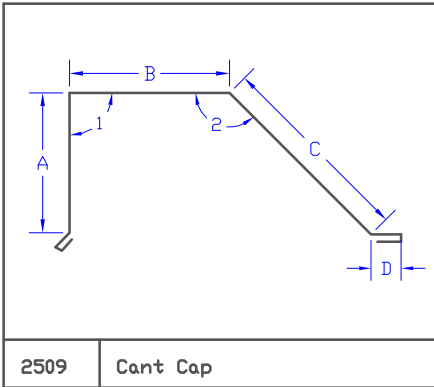


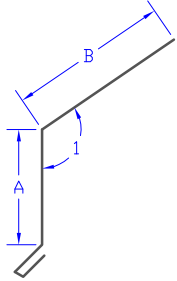
Custom Profiles



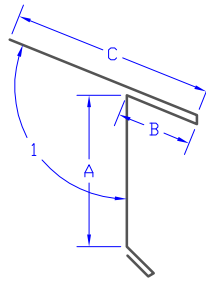
Custom Profiles



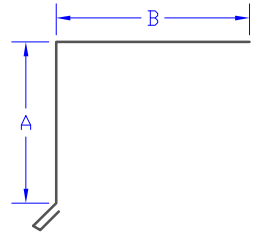
Custom Profiles



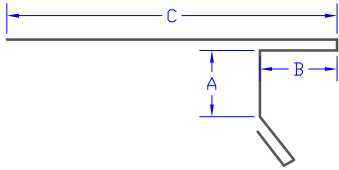
2518 Roof Drip Edge



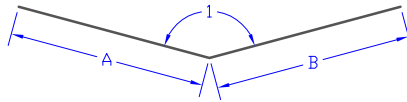
2519 Roof Drip Edge 2



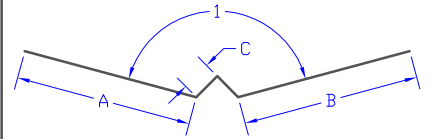
2520 Roof Rake Edge



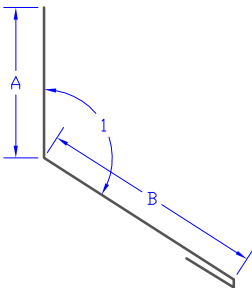
2521 Roof Rake Edge 2



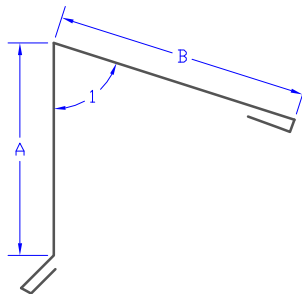
2522 Valley Flashing



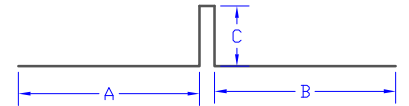
2523 W Valley Flashing



2524 Wall Flashing

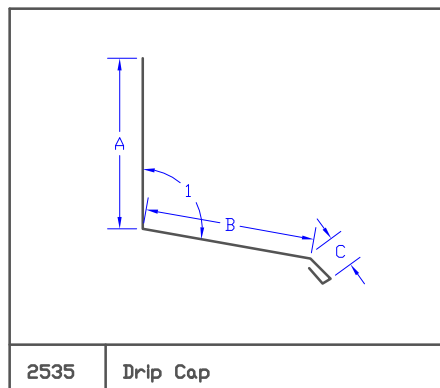
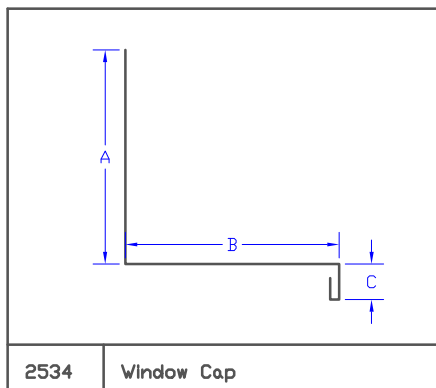
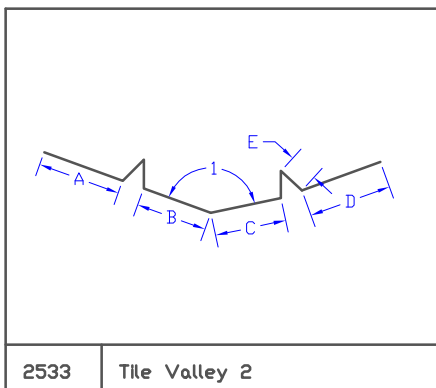
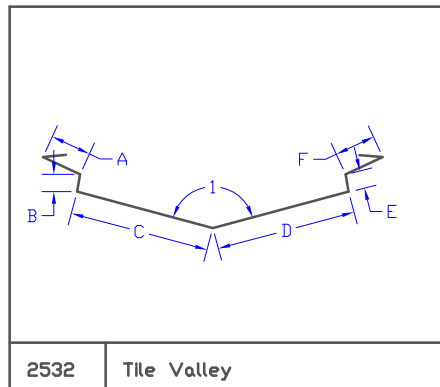
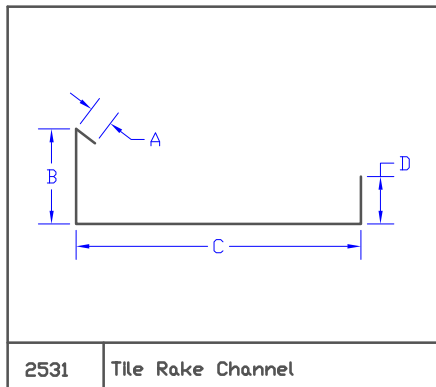
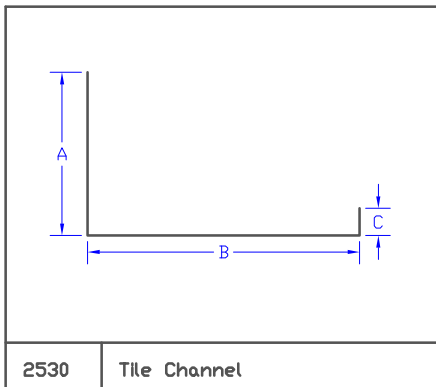
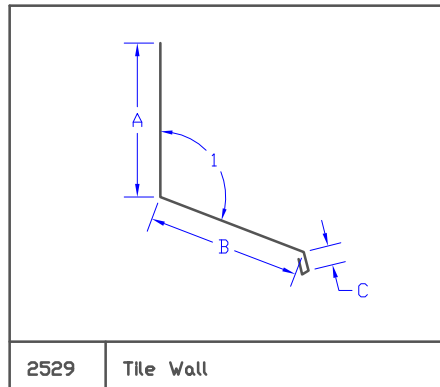
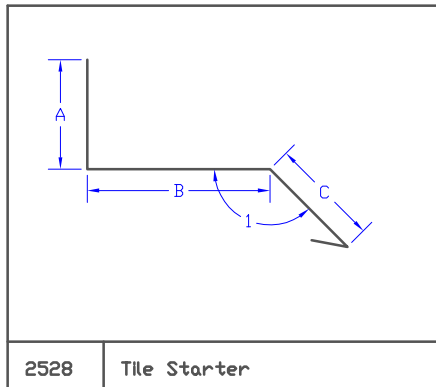
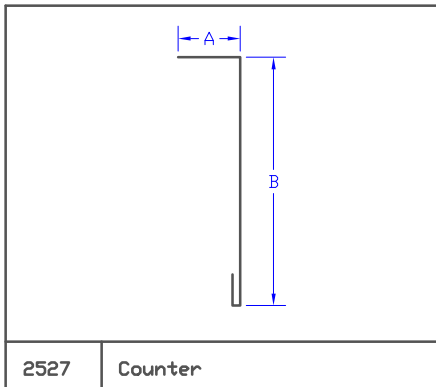


2525 Shed Roof Cap

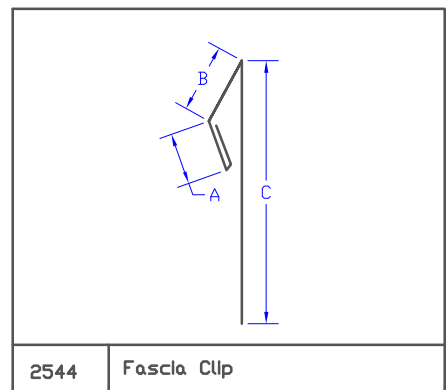
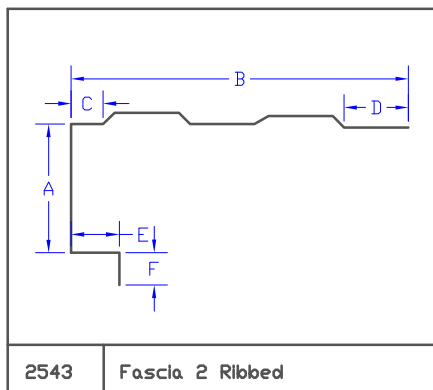
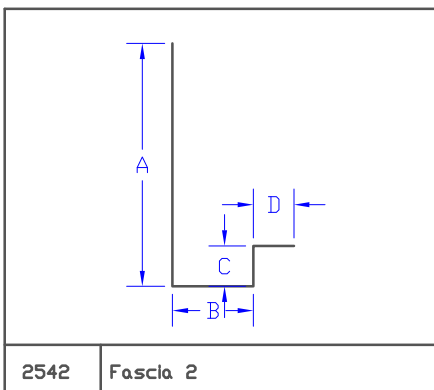
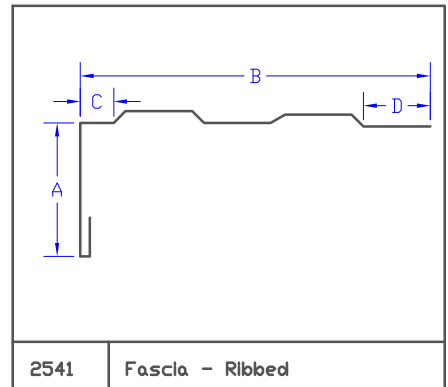
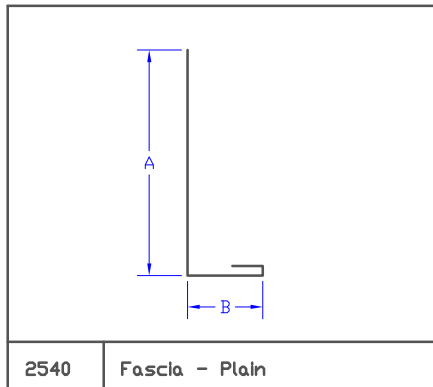
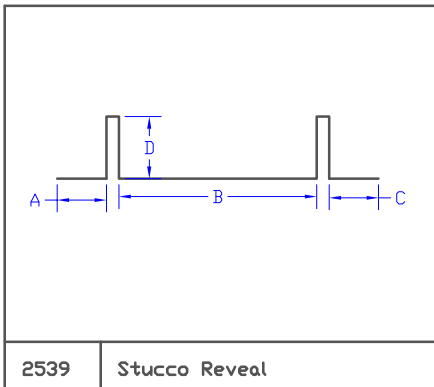
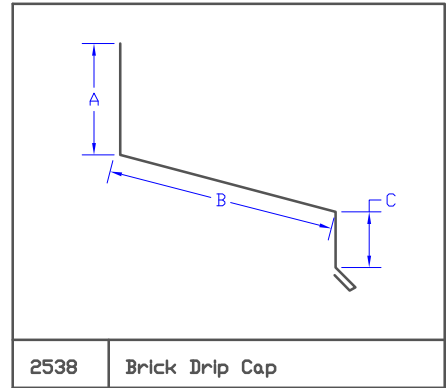
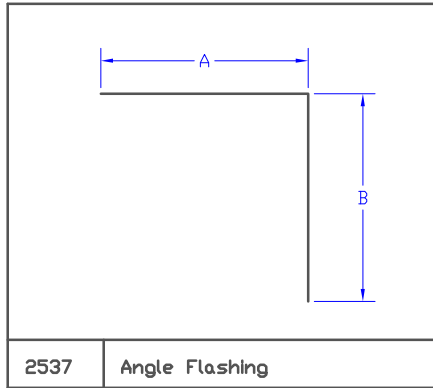
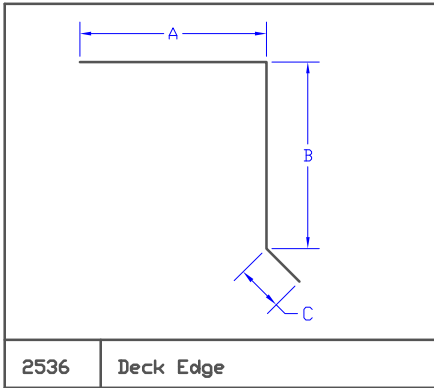


2526 Duplex Divider

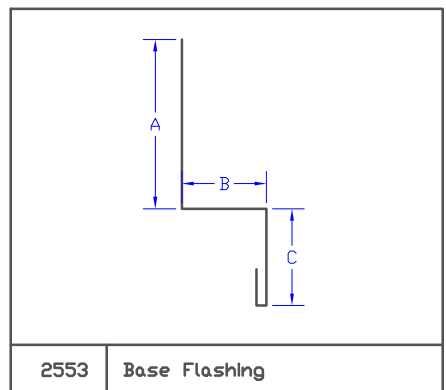
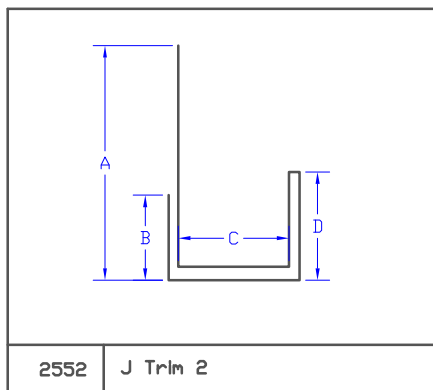
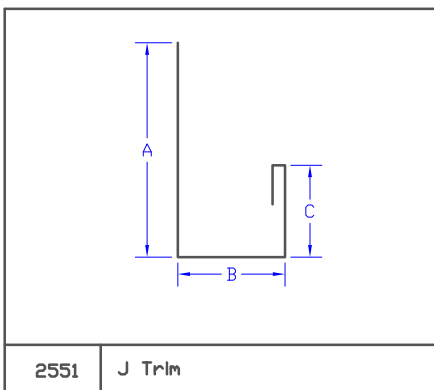
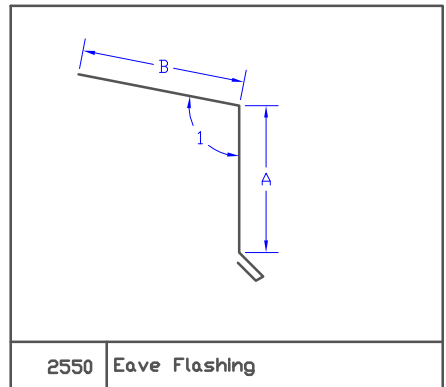
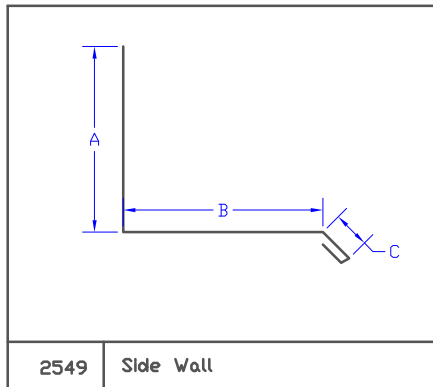
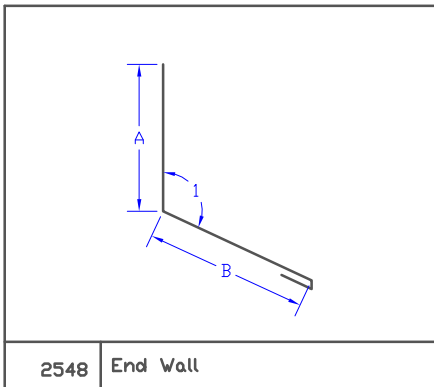
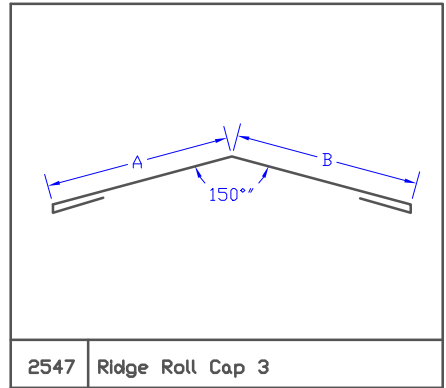
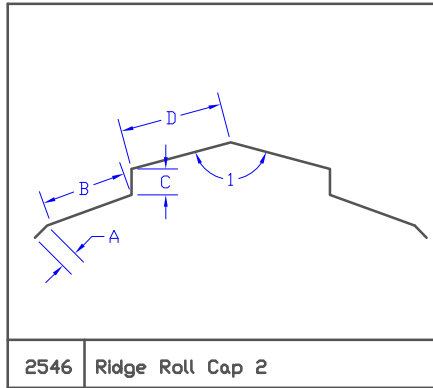
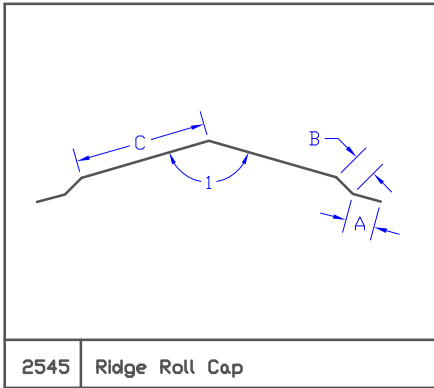
Custom Profiles



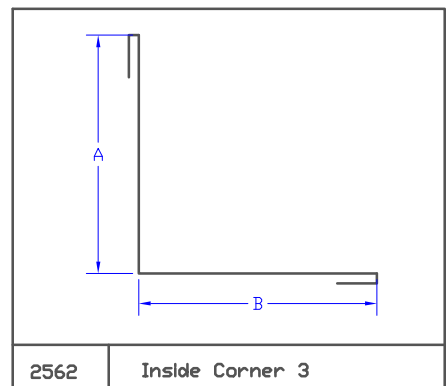
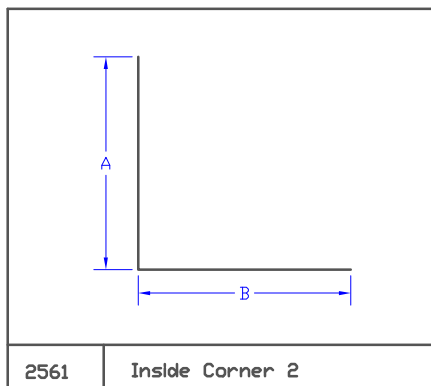
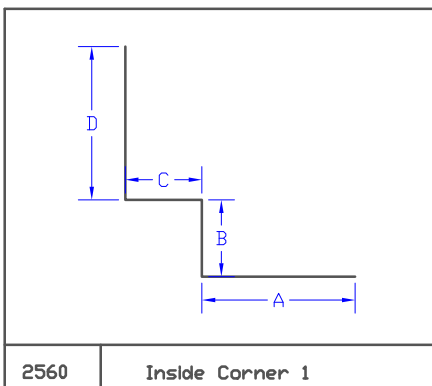
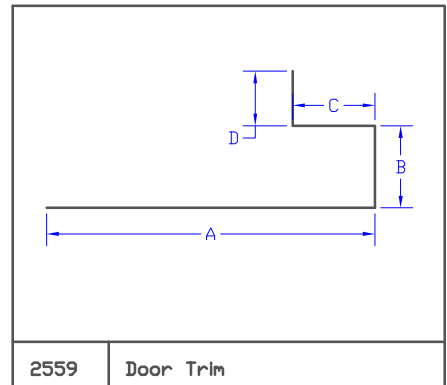
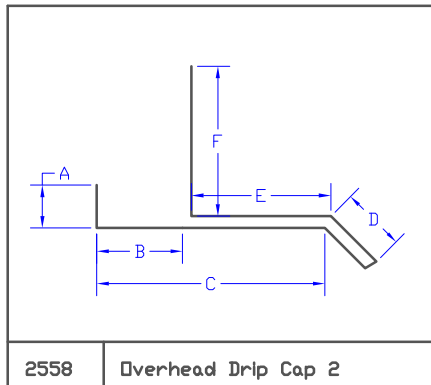
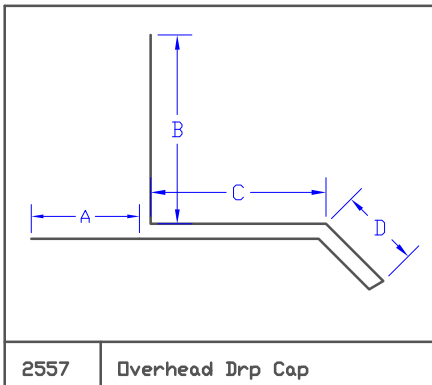
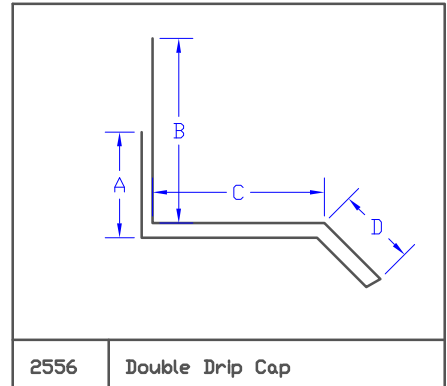
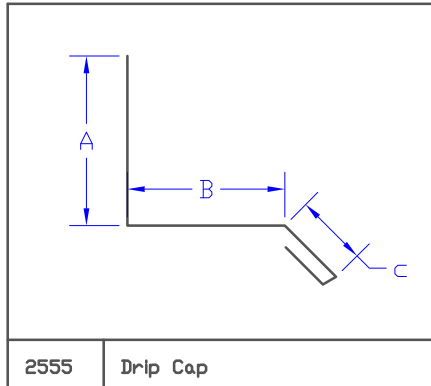
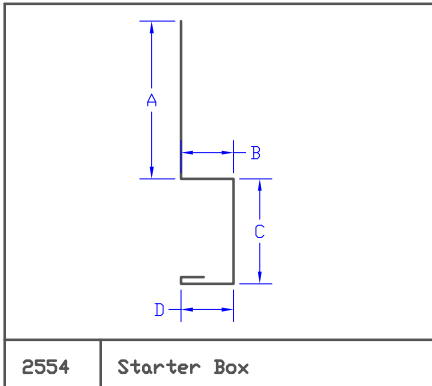
Custom Profiles



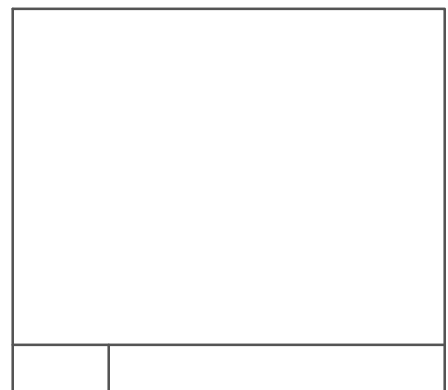
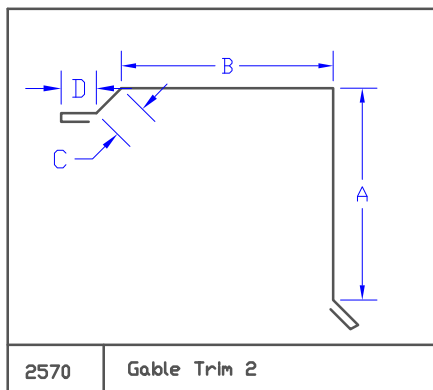
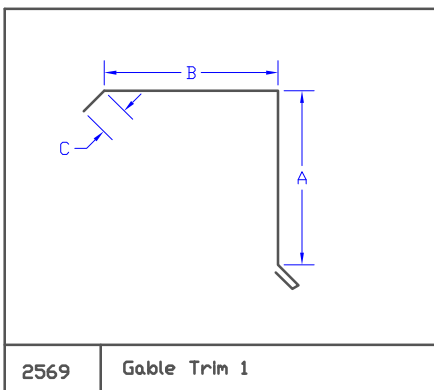
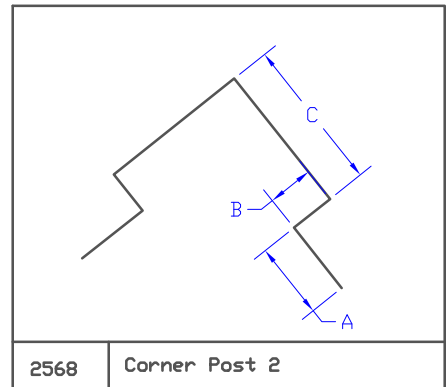
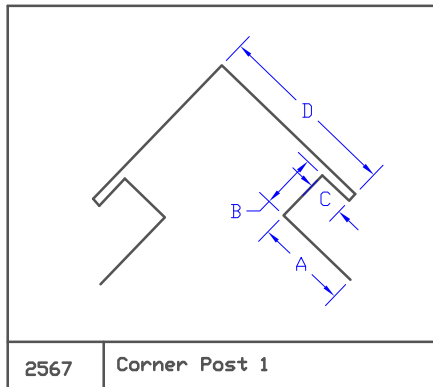
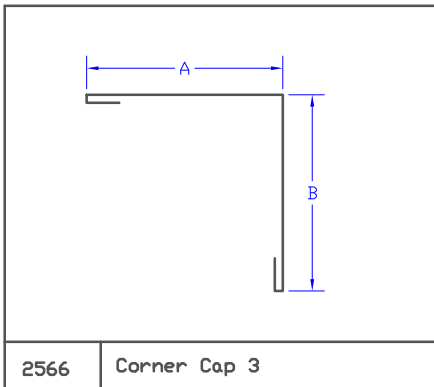
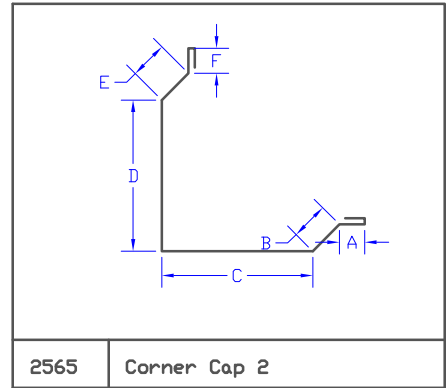
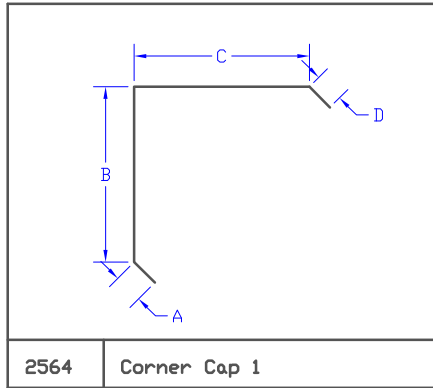
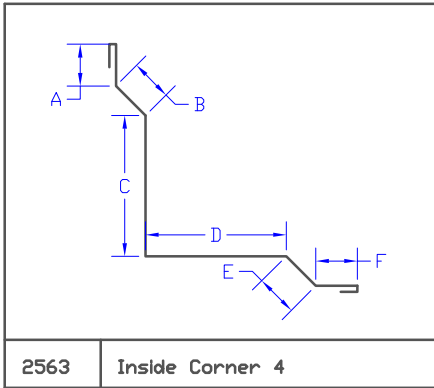
Custom Profiles



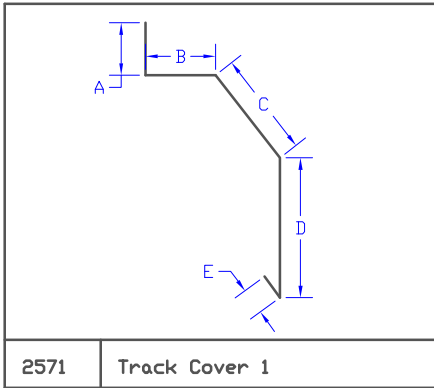
Custom Profiles



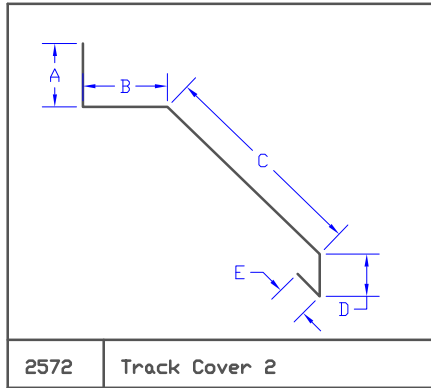
Custom Profiles



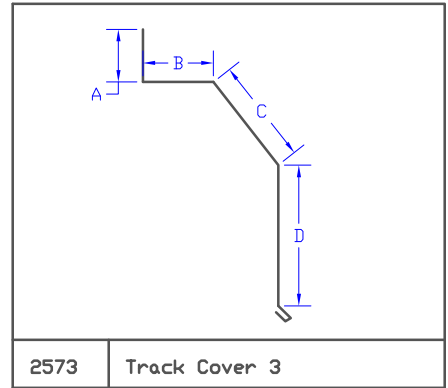
Custom Profiles



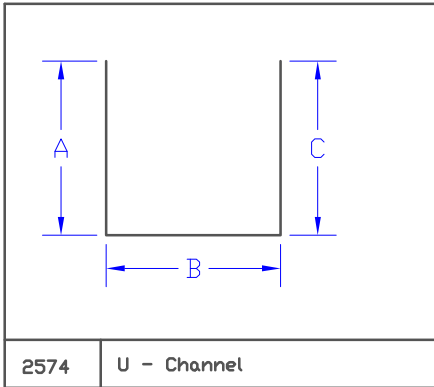
2571 Track Cover 1



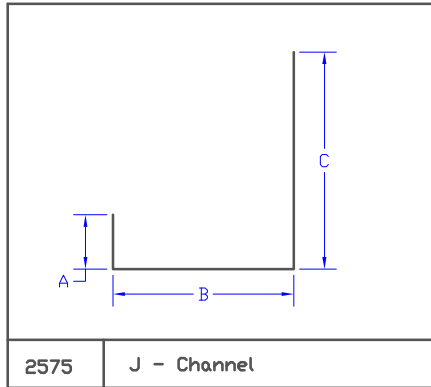
2572 Track Cover 2



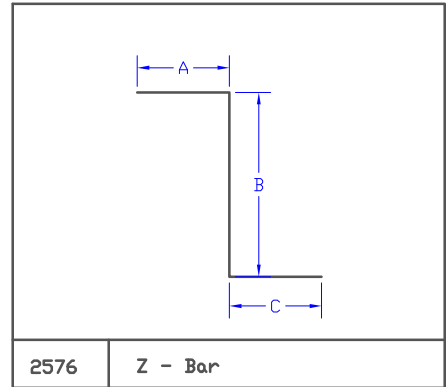
2573 Track Cover 3



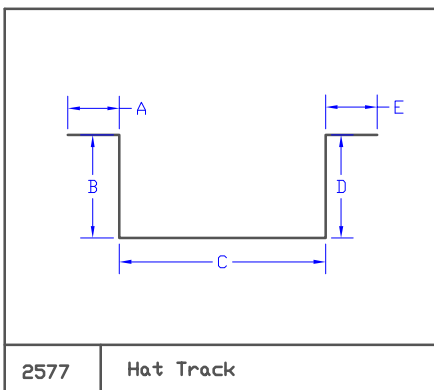
2574 U - Channel



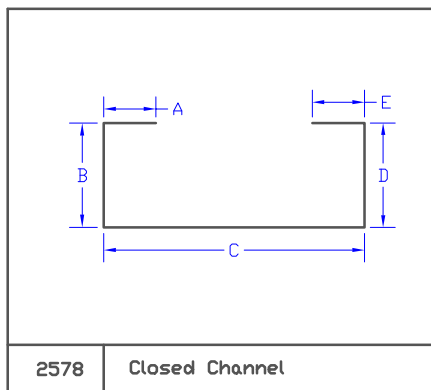
2575 J - Channel



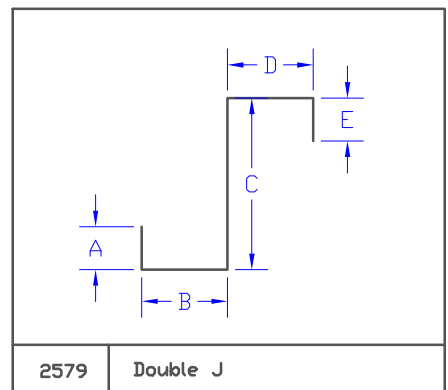
2576 Z - Bar



2577 Hat Track



2578 Closed Channel



2579 Double J