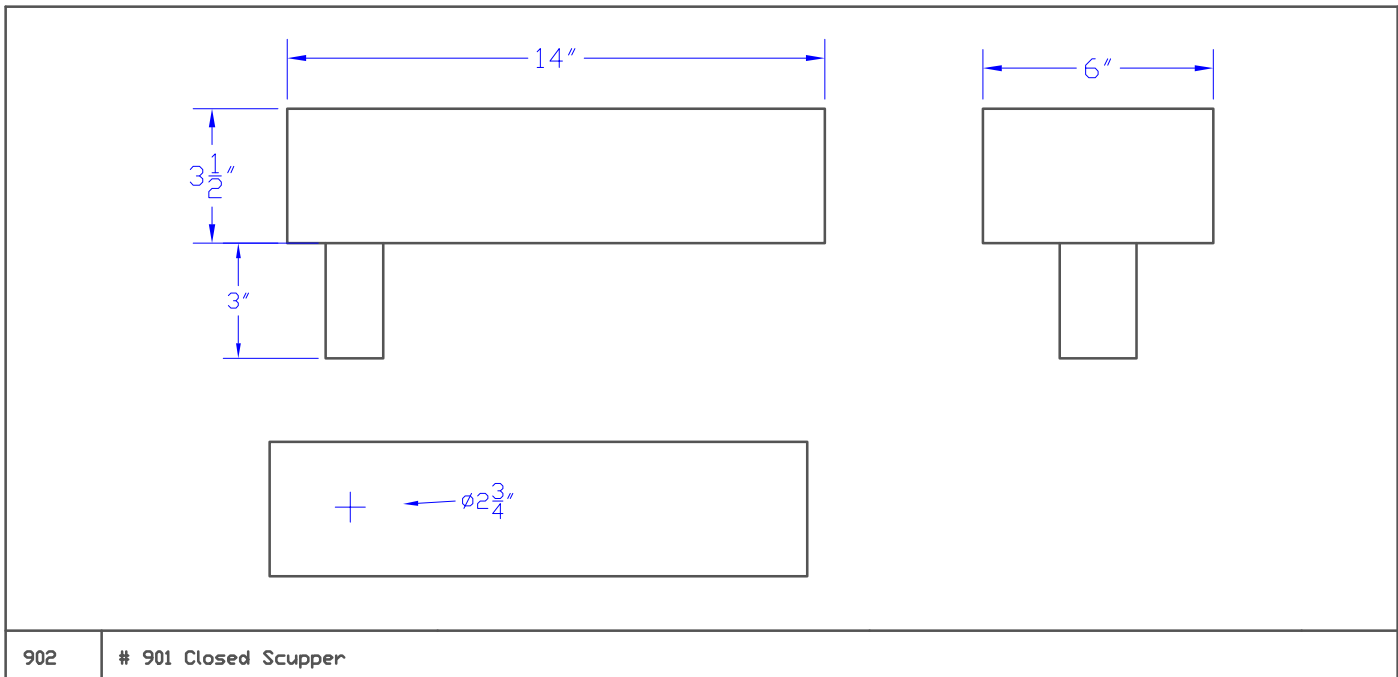
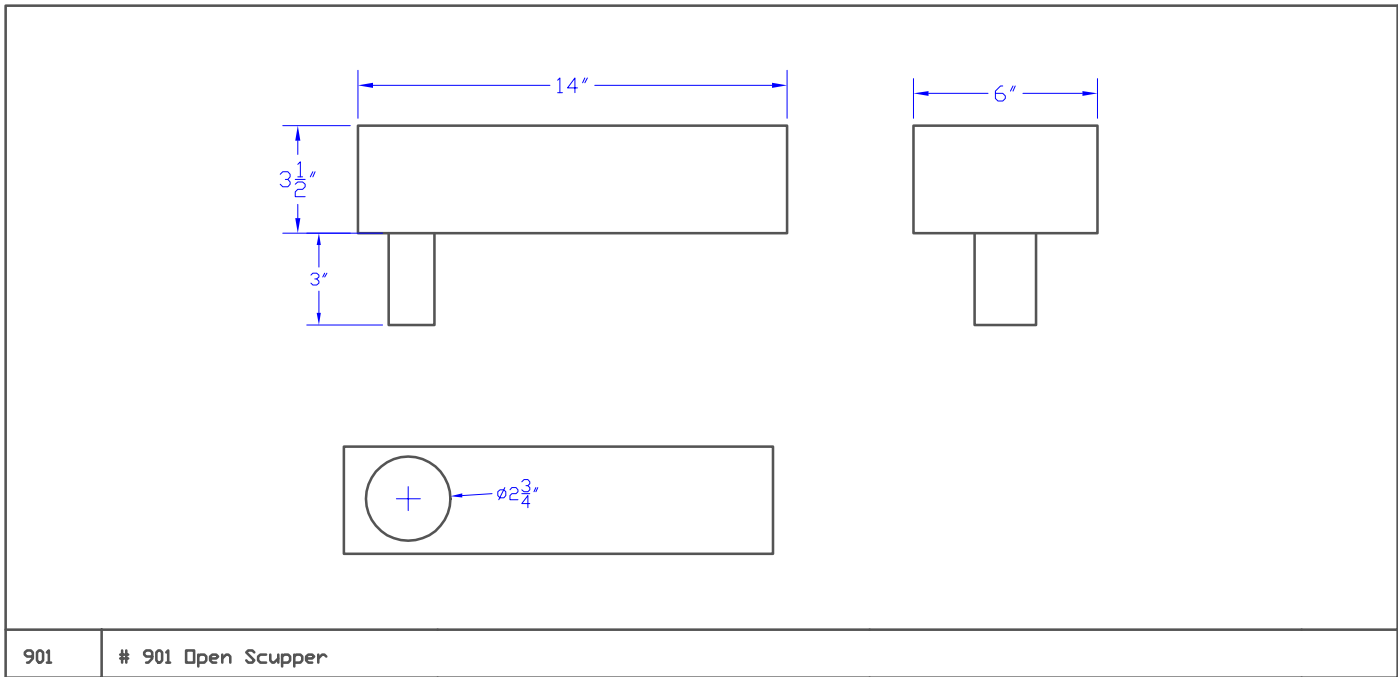
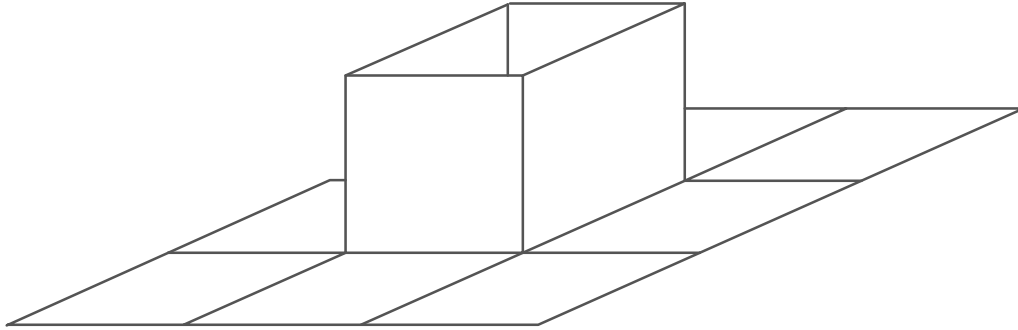


# Stock Flashing



# Stock Flashing



## Available Sizes

2" x 2"

3" x 3"

4" x 4"

5" x 5"

6" x 6"

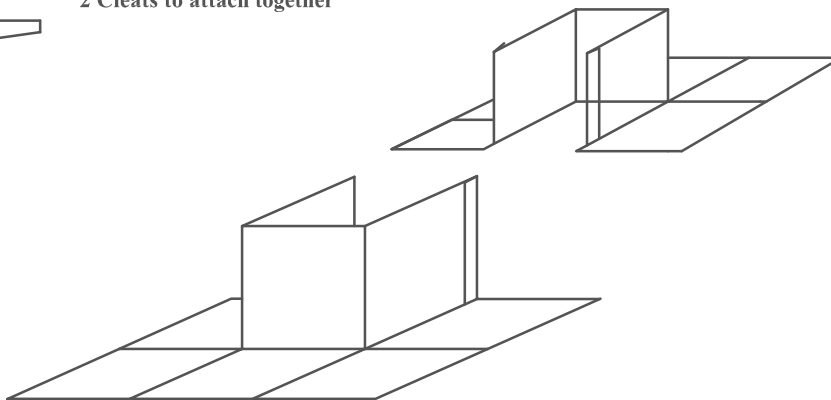
8" x 8"

903

Closed Gum Cups



2 Cleats to attach together



## Available Sizes

2" x 2"

3" x 3"

4" x 4"

5" x 5"

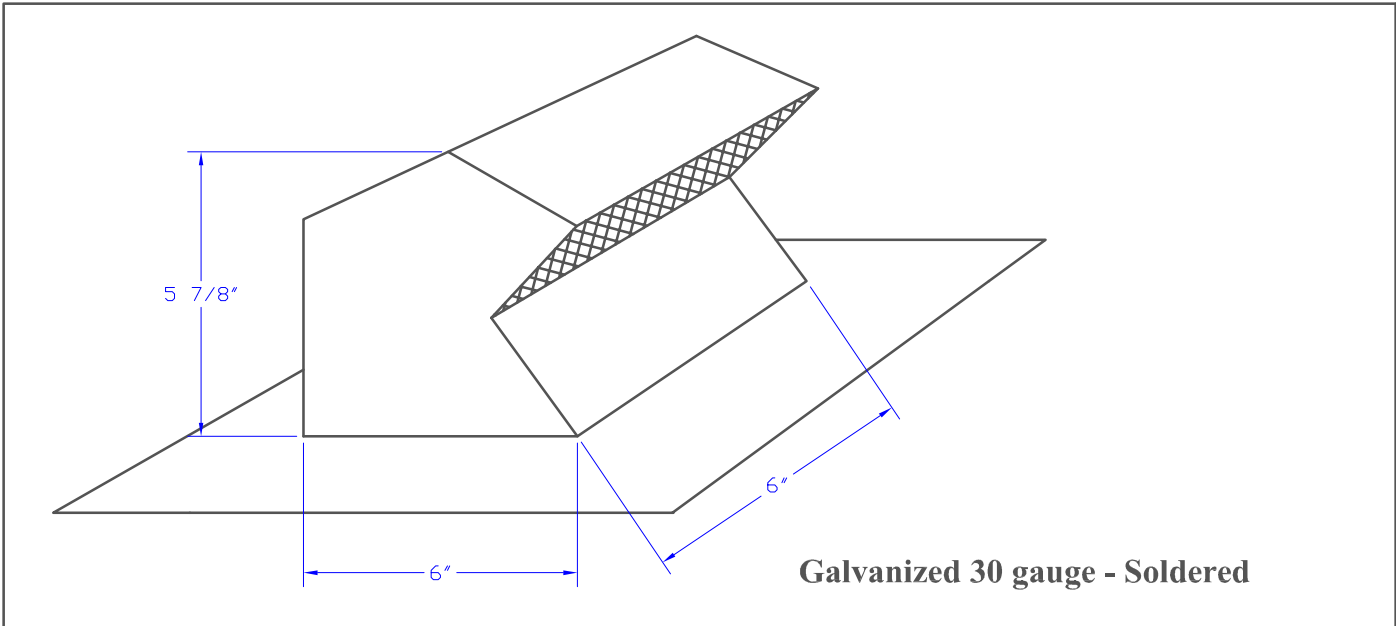
6" x 6"

8" x 8"

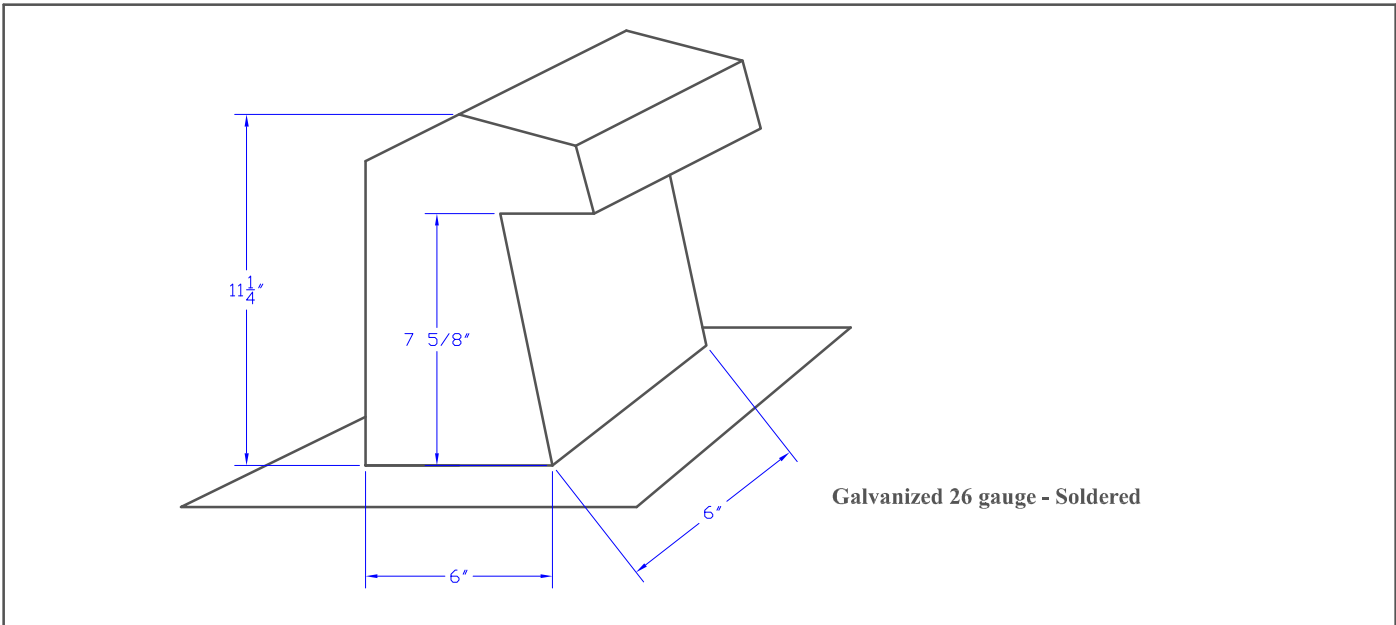
904

Open Gum Cups

# Stock Vents

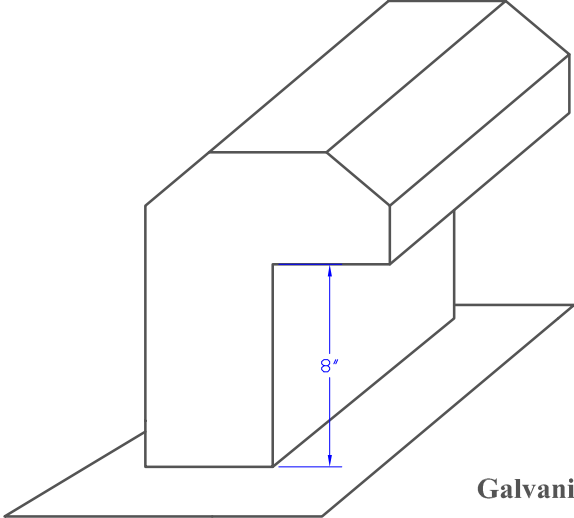


701	6' x 6' Short Fan Vent
-----	------------------------



702	6' x 6' Tall Gooseneck Fan Vent
-----	---------------------------------

# Stock Vents

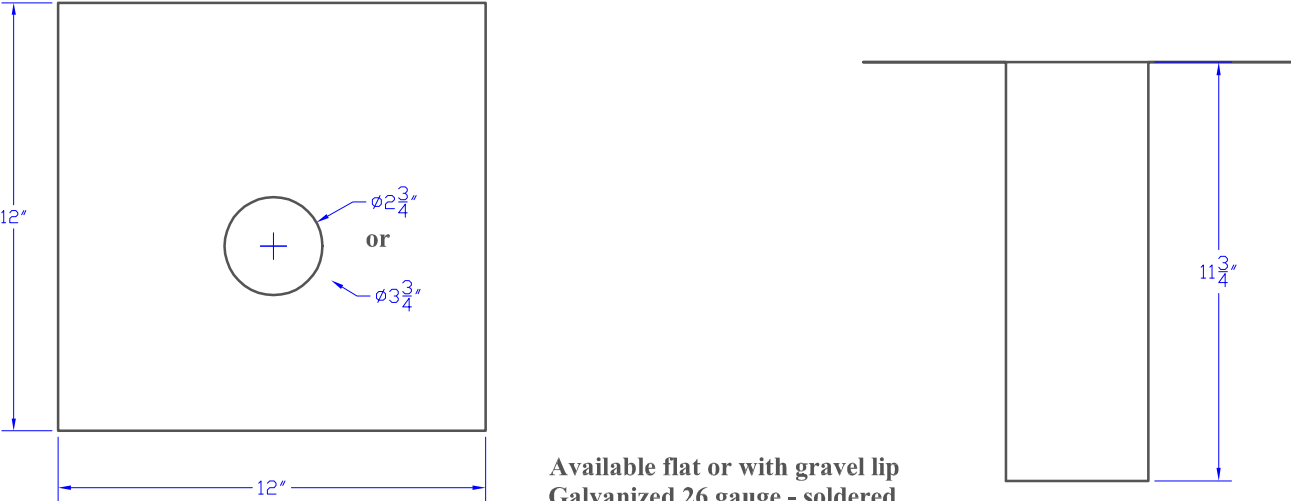


**Available Sizes**

- 4" x 6"
- 4" x 8"
- 6" x 8"
- 6" x 12"
- 8" x 8"

**Galvanized 26 gauge - Soldered**

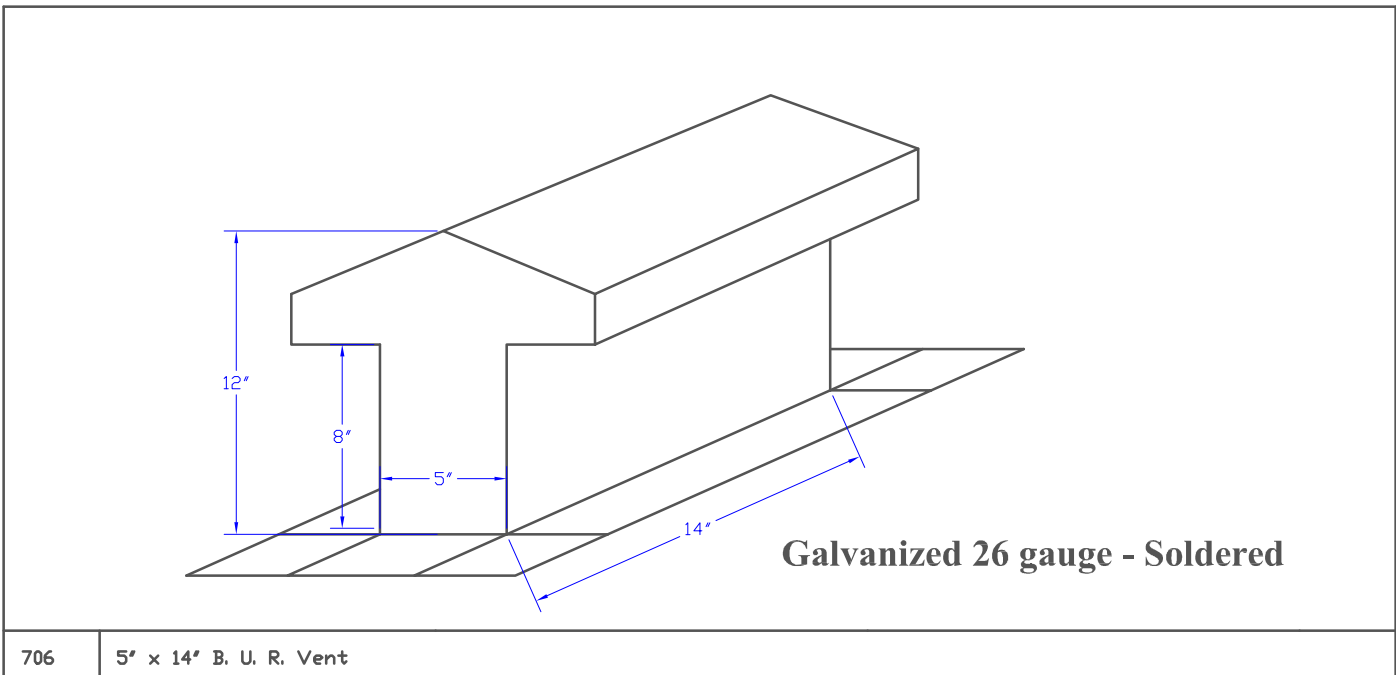
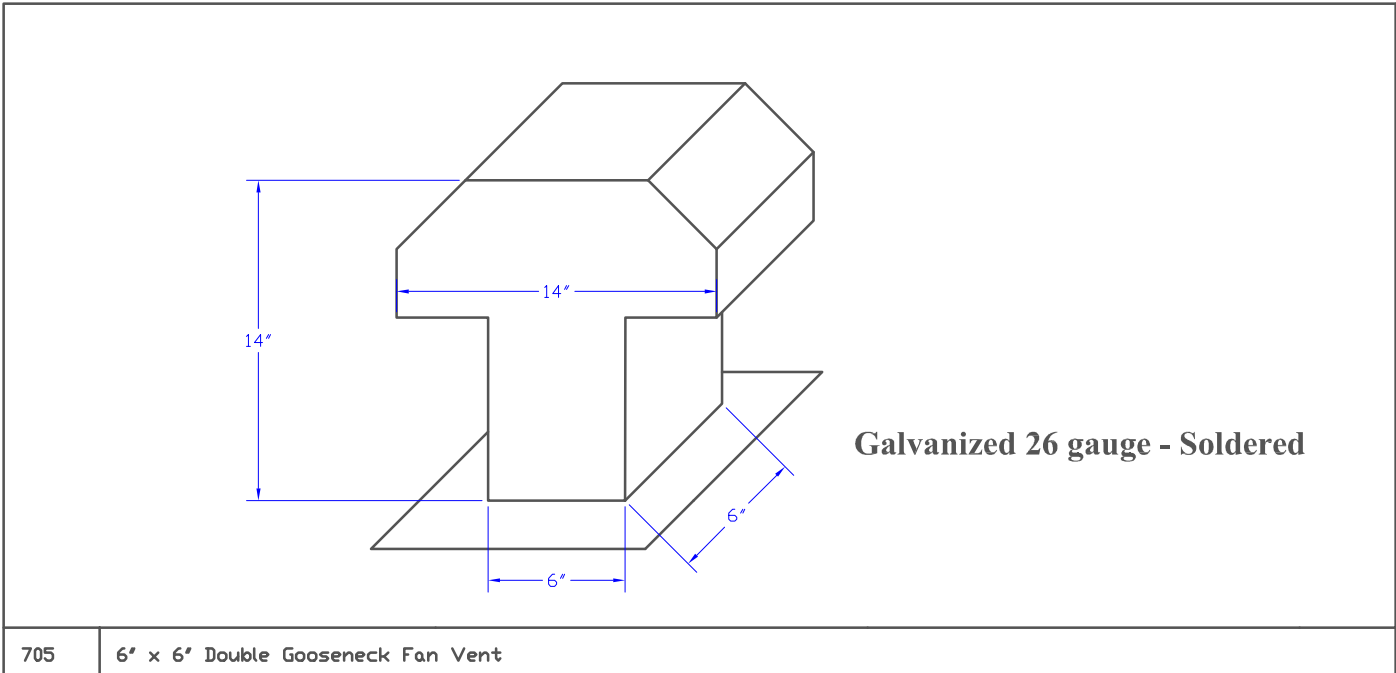
703	Gooseneck Vents
-----	-----------------



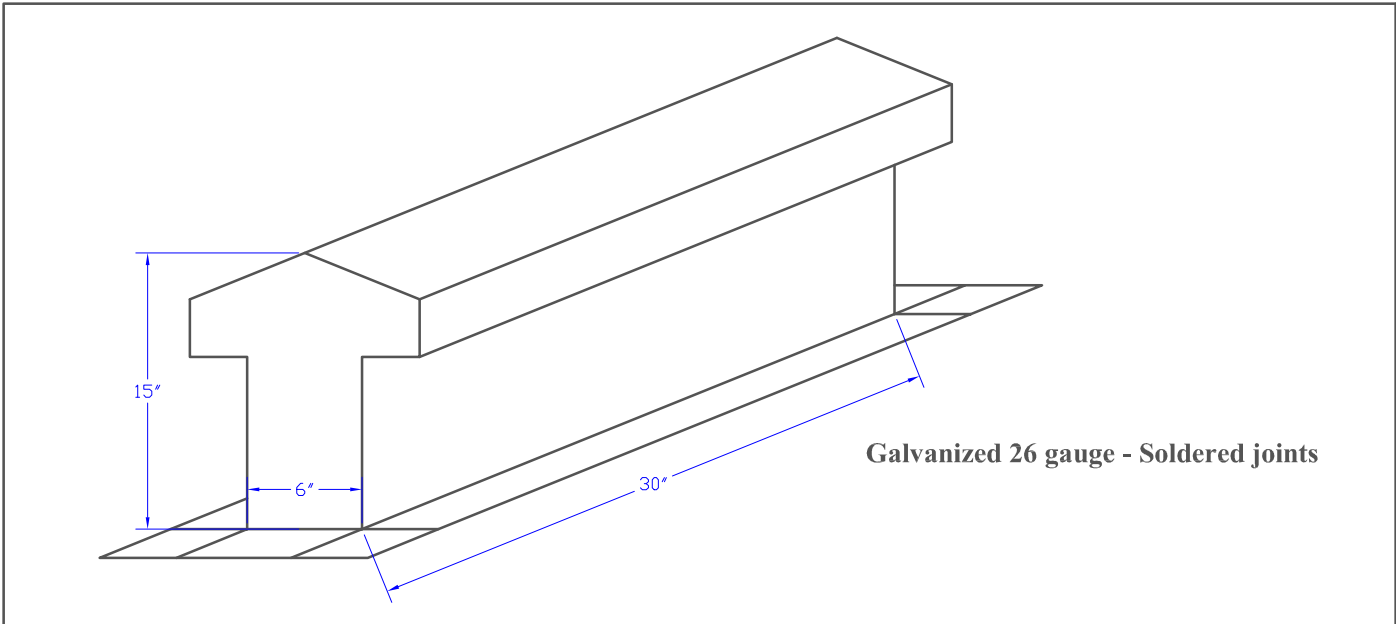
**Available flat or with gravel lip**  
**Galvanized 26 gauge - soldered**

704	Roof Drop Drain
-----	-----------------

# Stock Vents

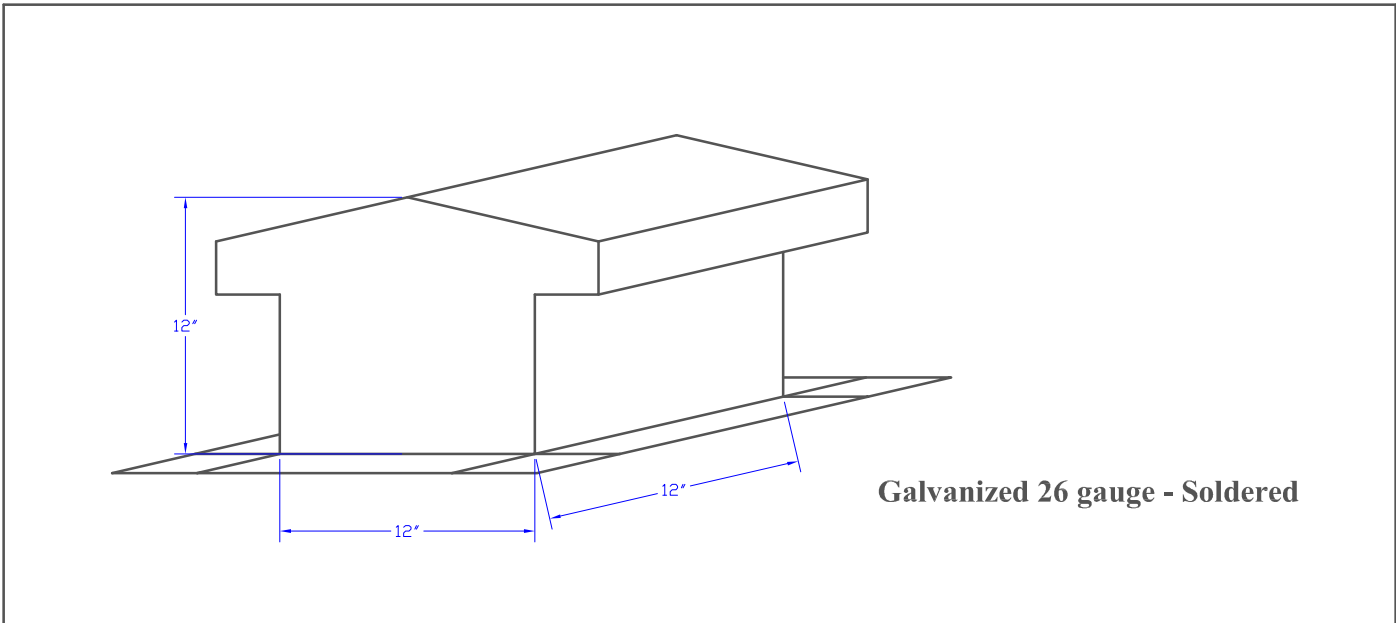


# Stock Vents



Galvanized 26 gauge - Soldered joints

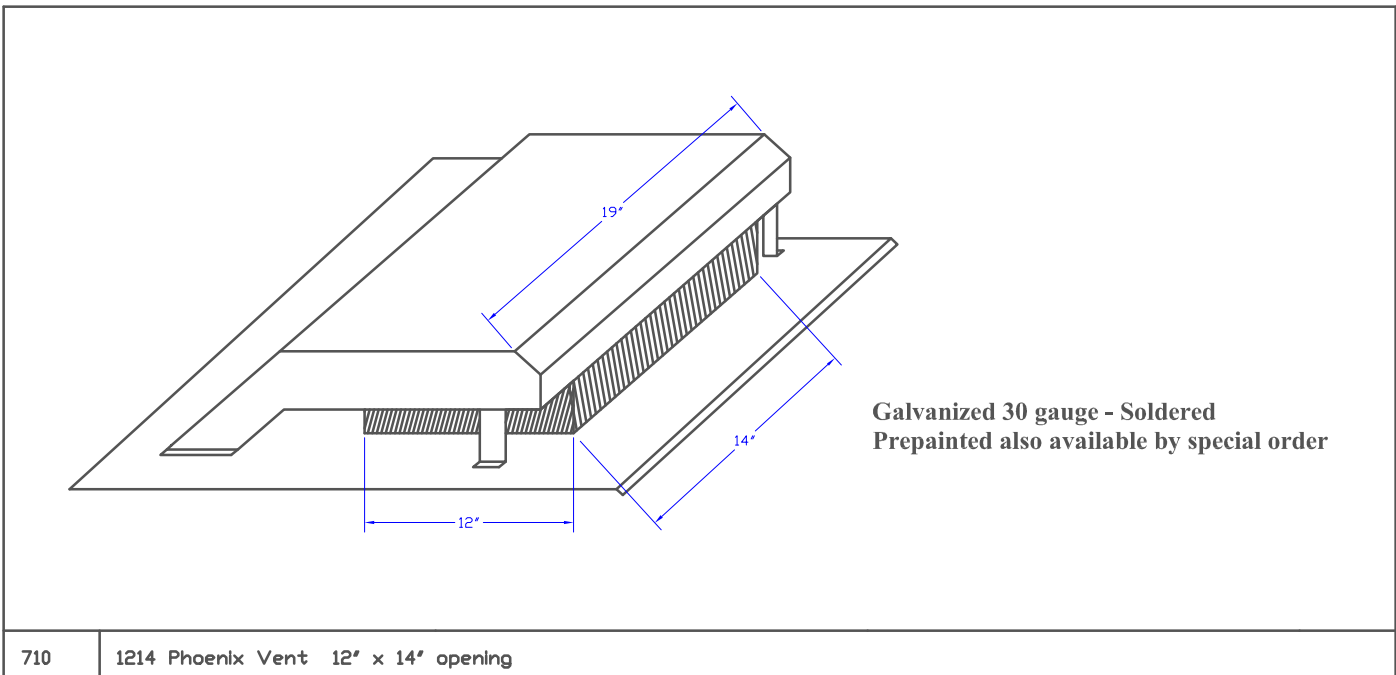
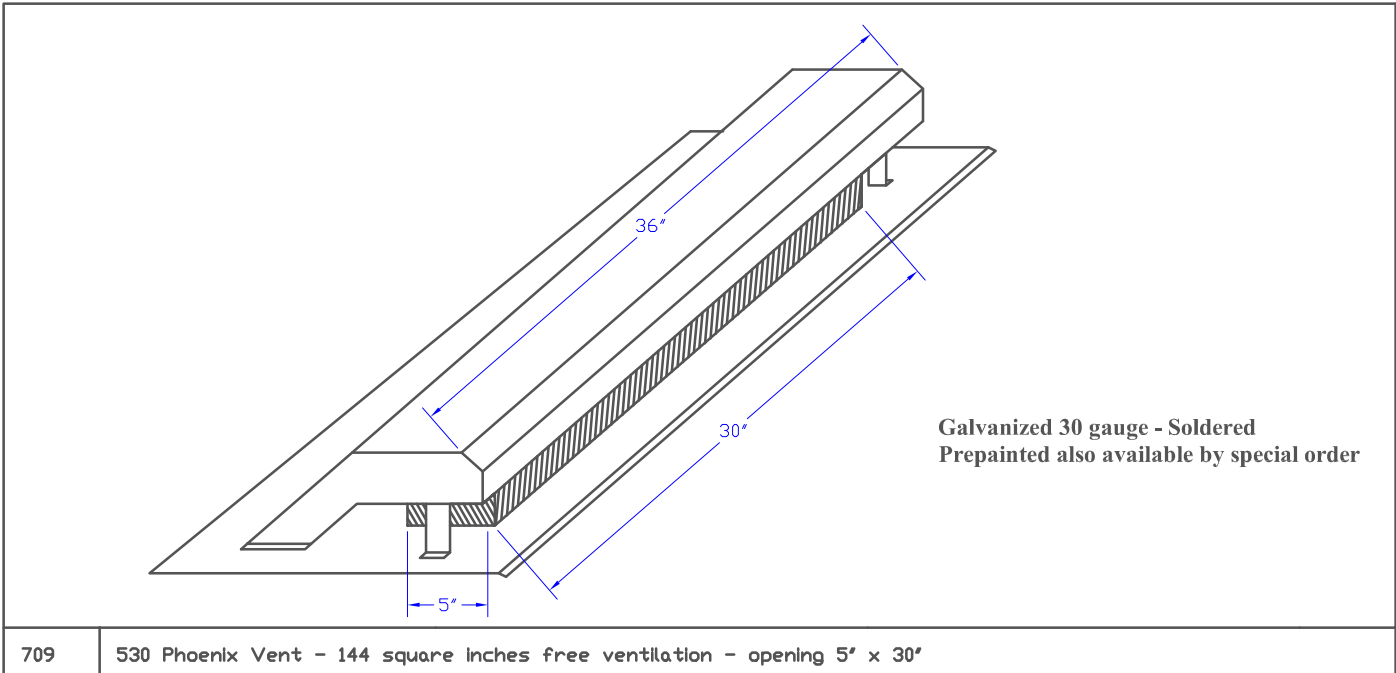
707 | 630 Phoenix Vents - 162 square inches free ventilation - Opening 6' x 30'



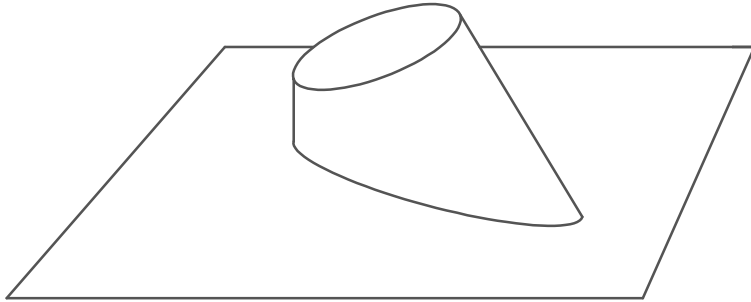
Galvanized 26 gauge - Soldered

708 | 12' x 12' B. U. R. Vent

# Stock Vents



# Stock Flashing

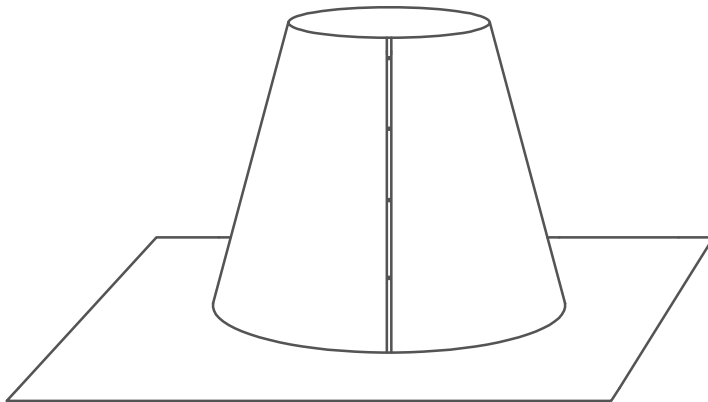


## Available Size

3"  
4"  
5"  
6"  
7"  
8"

905

Adjustable B-Vent Flashing



## Available Sizes

3"  
4"  
5"  
6"  
7"  
8"  
9"  
10"  
11"  
12"  
13"  
14"  
16"

906

Tall Cone B-Vent Flashing



**18/12 Pitch**

**15/12 Pitch**

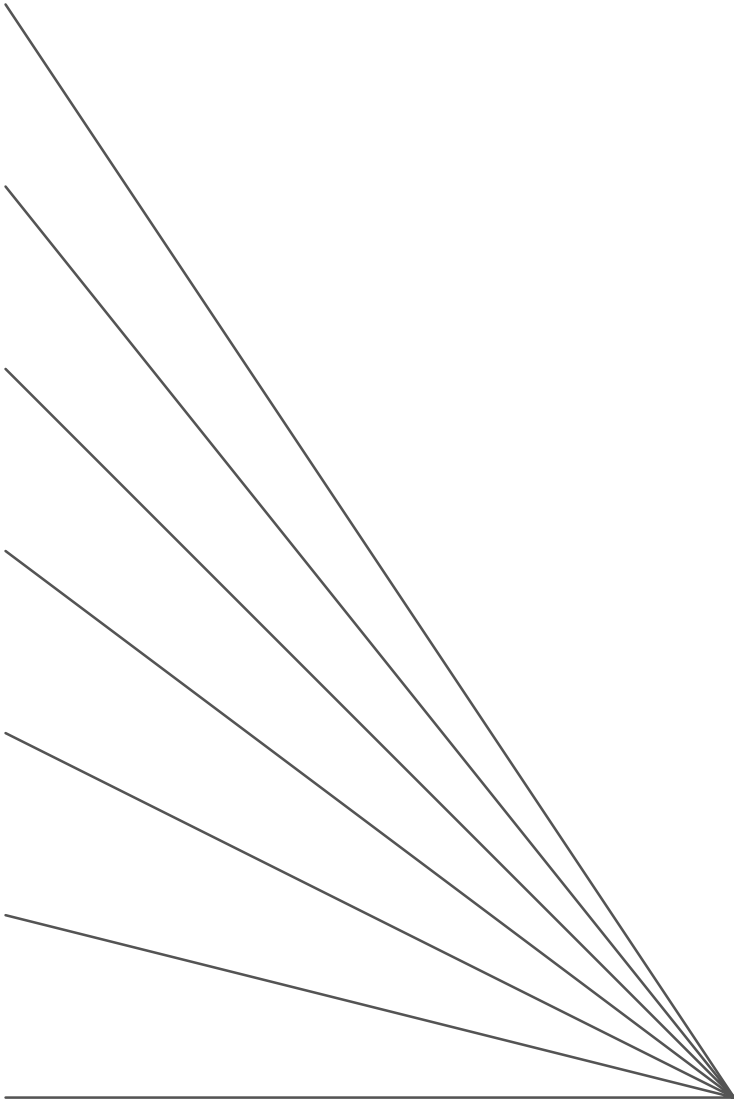
**12/12 Pitch**

**9/12 Pitch**

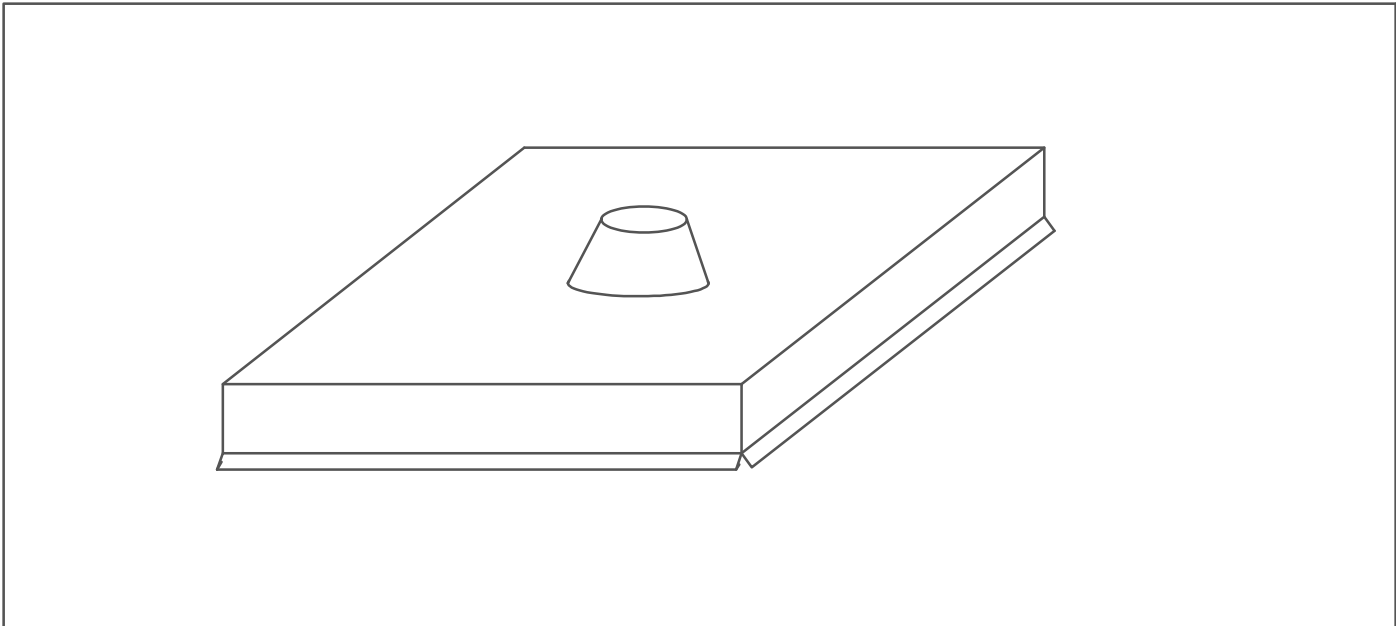
**6/12 Pitch**

**3/12 Pitch**

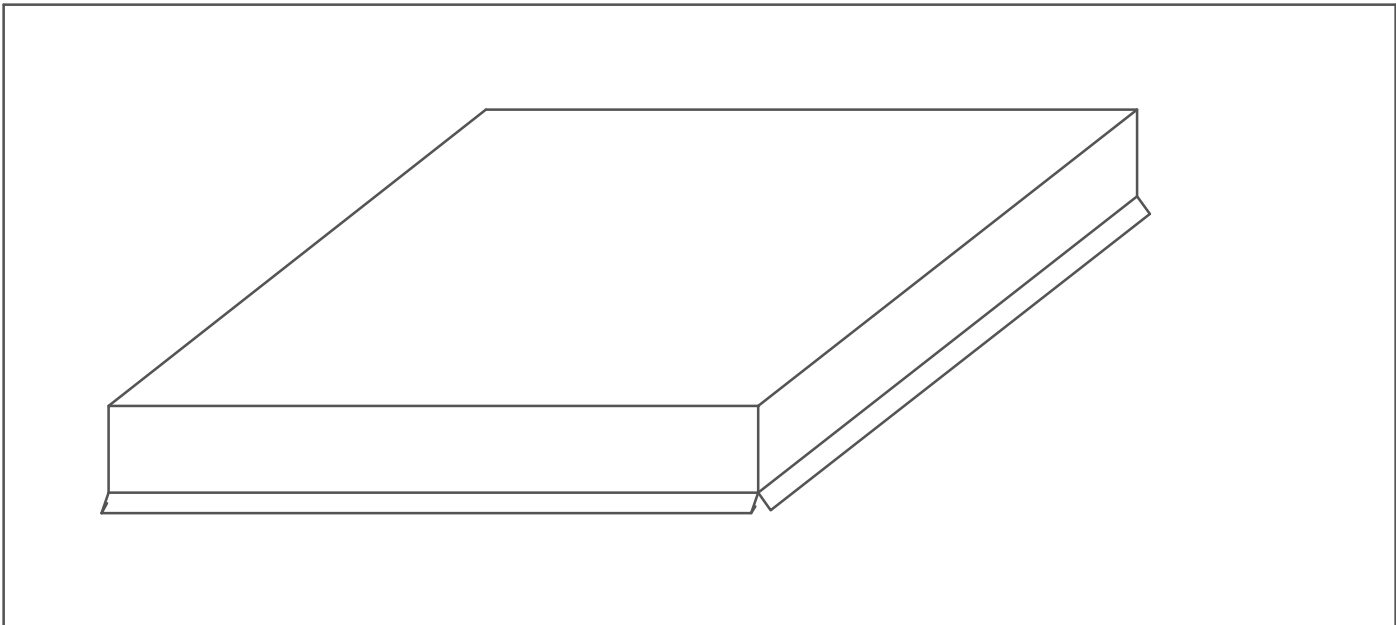
**Horizontal**



# Custom Flashing



3001 Chase Top with hole



3002 Chase Top without hole