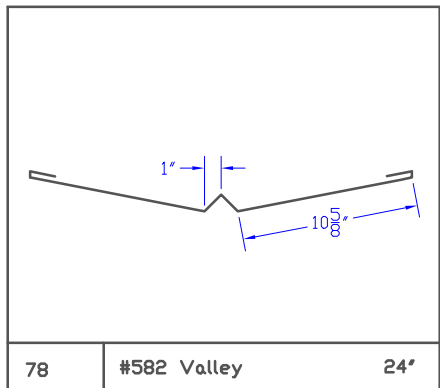
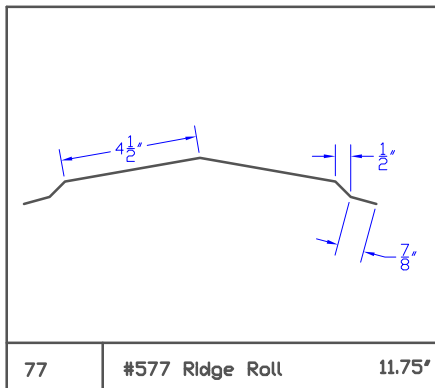
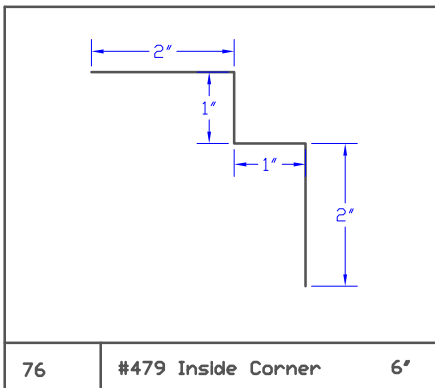
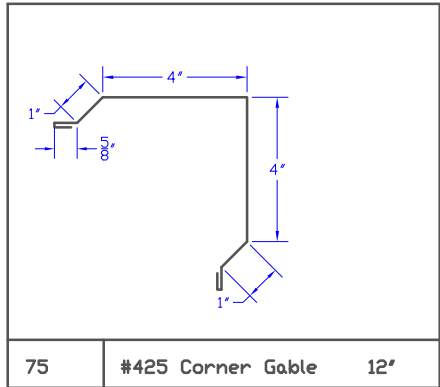
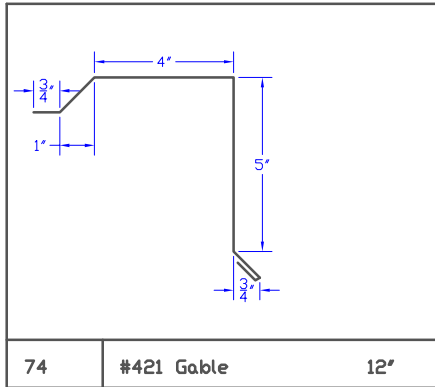
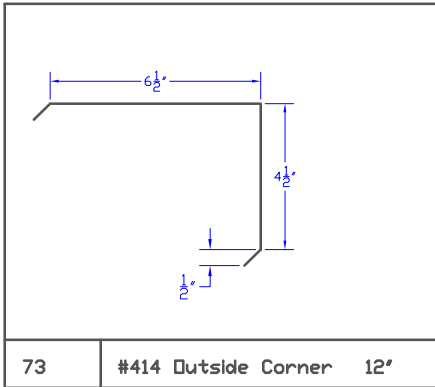
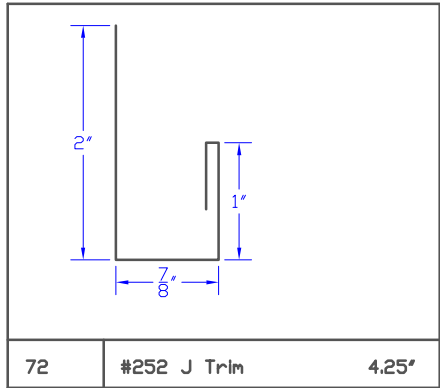
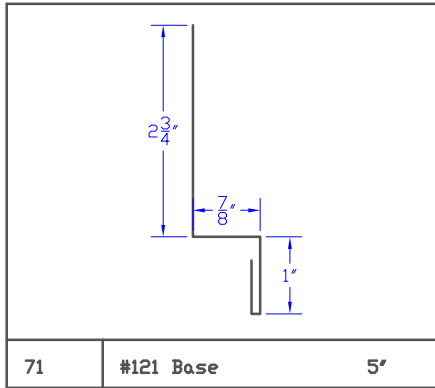
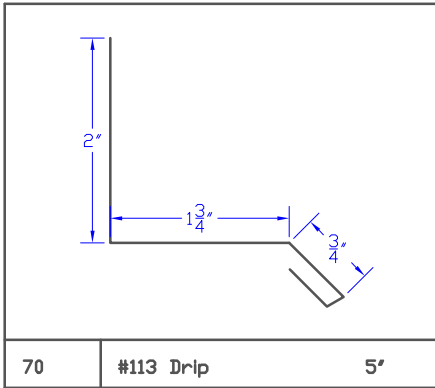
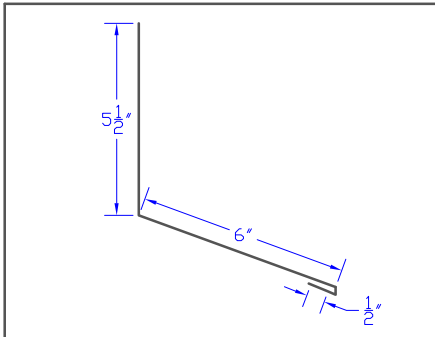


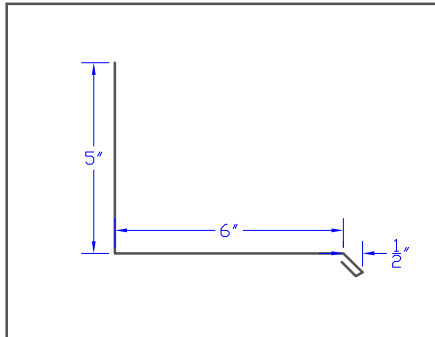
Westman



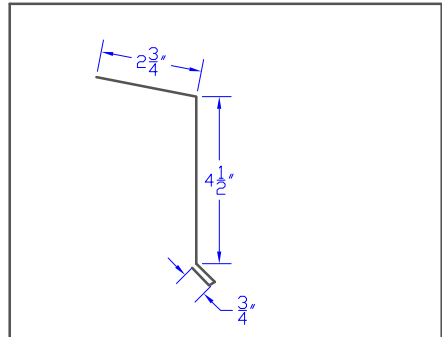
Westman



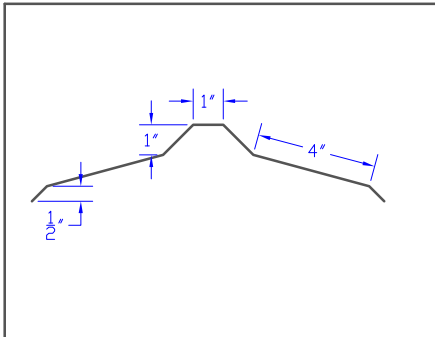
79	#603 End Wall	12"
----	---------------	-----



80	#605 Side Wall	12"
----	----------------	-----



81	#609 Eave	8.375"
----	-----------	--------



82	#581 Ridge Roll	12"
----	-----------------	-----



83		
----	--	--



84		
----	--	--



85		
----	--	--

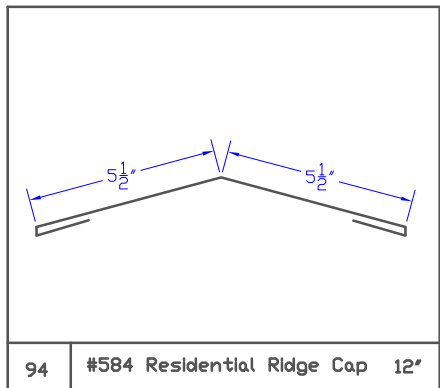
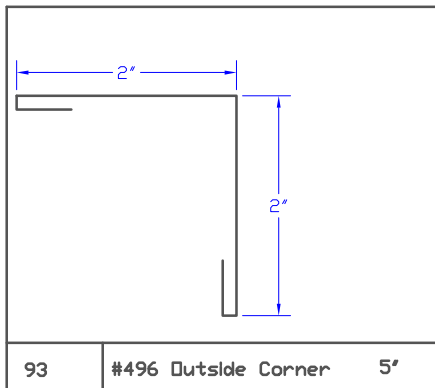
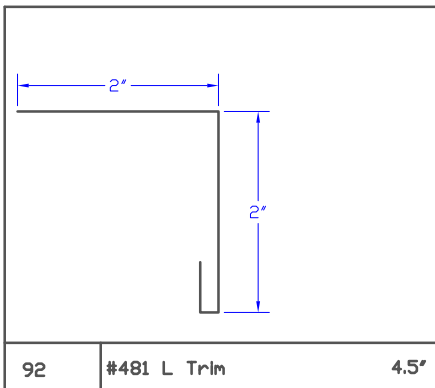
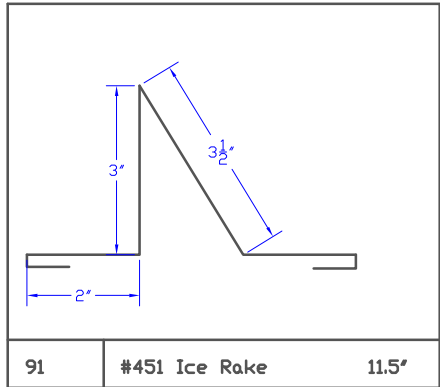
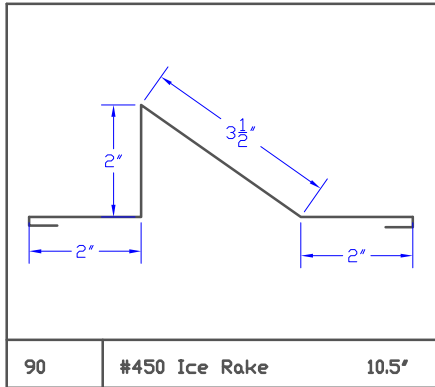
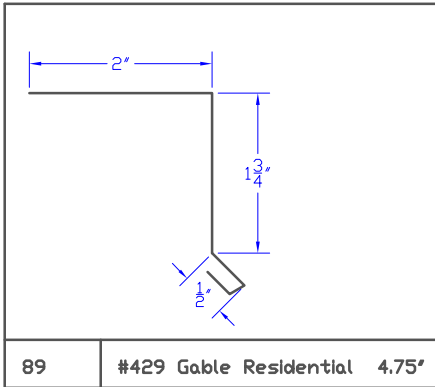
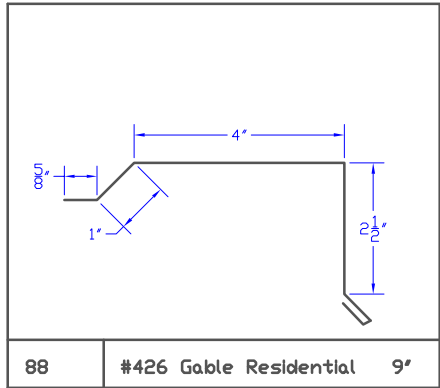
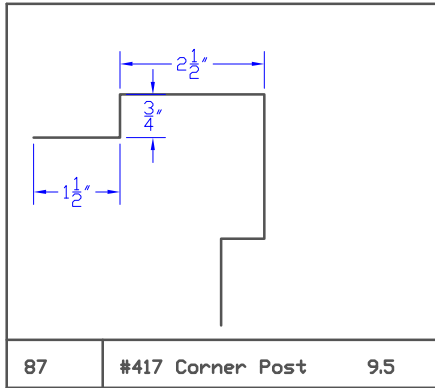
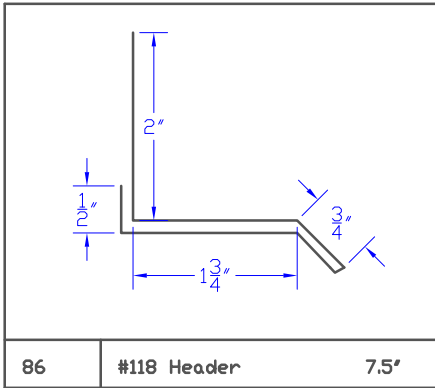


--	--	--

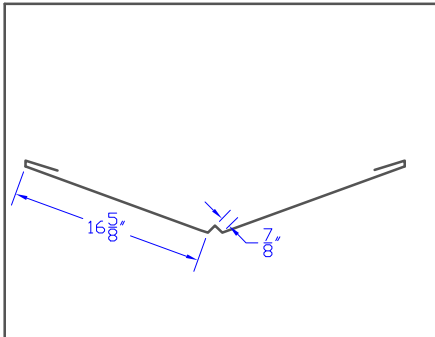


--	--	--

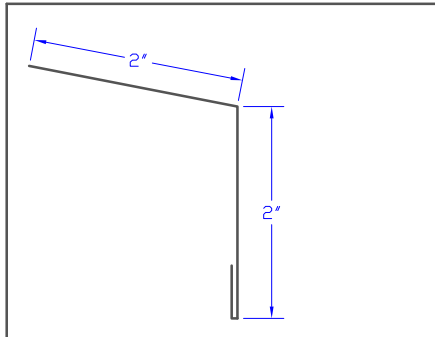
Westman



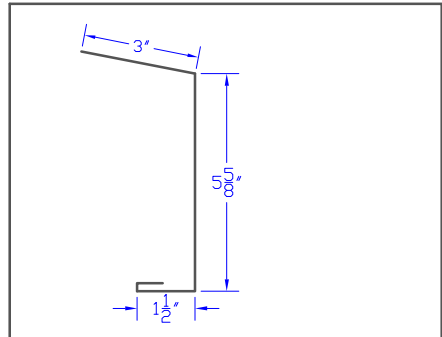
Westman



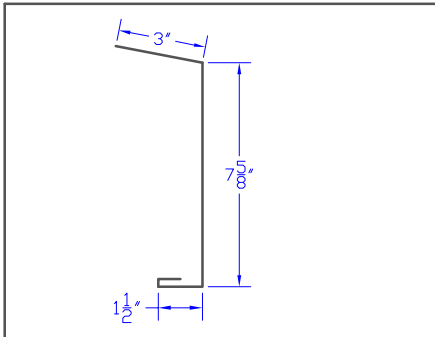
95 #585 36' Valley 36'



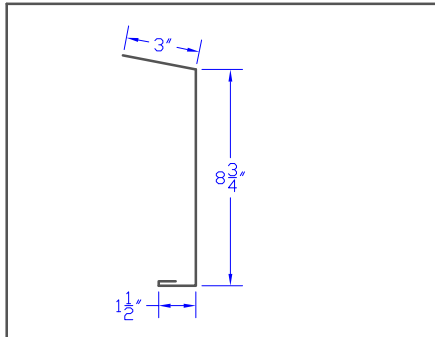
96 #608 Residential Eave 4.5'



97 #610A 5 5/8' Fascia 10.625'



98 #610B 7 5/8' Fascia 12.5'



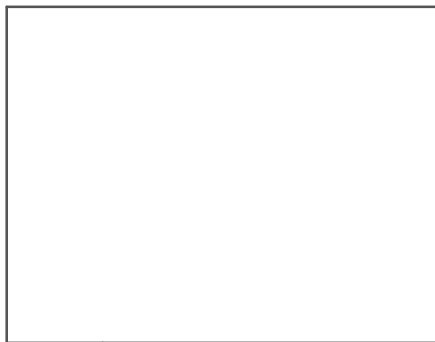
99 #610C 8 3/4' Fascia 13.75'



100



101



102



103